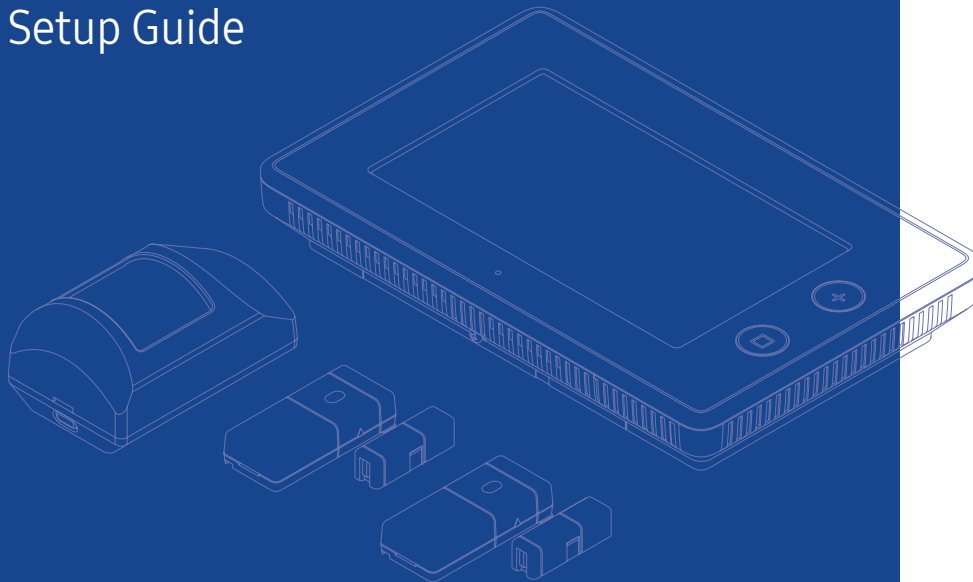


# ADT Home Security Starter Kit Setup Guide



# Welcome to your ADT Home Security Starter Kit



We're here to help you protect your home and your family, so let's get started with a few simple steps.

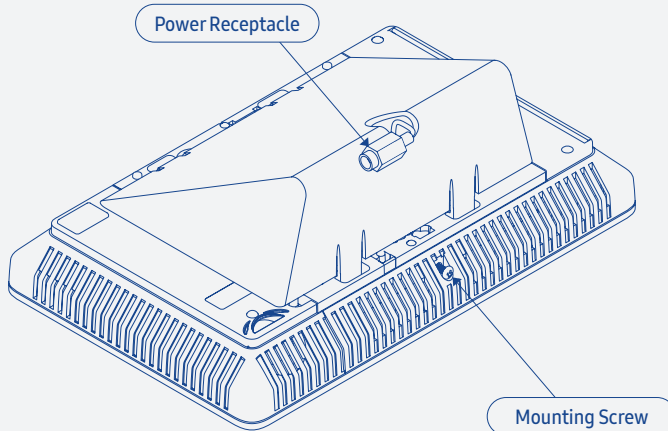
- A** Setup your ADT Security Hub
- B** Setup your ADT Door and Window Detectors
- C** Setup your ADT Motion Detector
- D** Complete a Walk Test
- E** Troubleshooting
- F** Optional ADT professional monitoring services
- G** Learn more about Works with SmartThings

If you have any difficulties setting up your ADT Home Security Starter Kit, please visit [SmartThings.com/Support-ADT](https://www.smartthings.com/support-adt) for assistance.

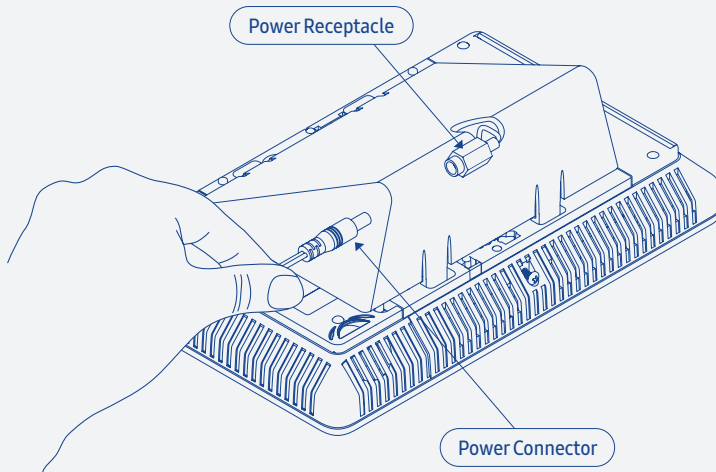
**A**

## Setup your ADT Security Hub

1. Place the ADT Security Hub in an area of your home that has good Wi-Fi and cellular coverage. Avoid placing it in direct sunlight, near heat sources, where it can be easily viewed from doors or windows, or where it can be reached by small children.
2. Attach the desk mount to the ADT Security Hub and tighten the mounting plate screw.



3. Connect the ADT Security Hub to a power outlet. Make sure the outlet is not controlled by a switch that could accidentally cut the power.

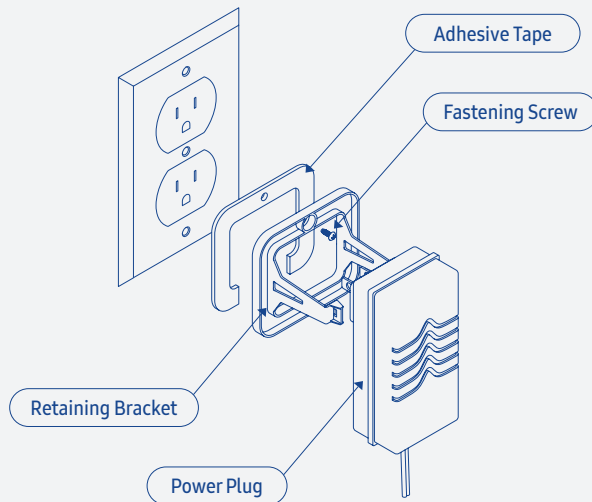


4. Follow the on-screen instructions to connect the ADT Security Hub to your Wi-Fi network.

## ADT Security Hub

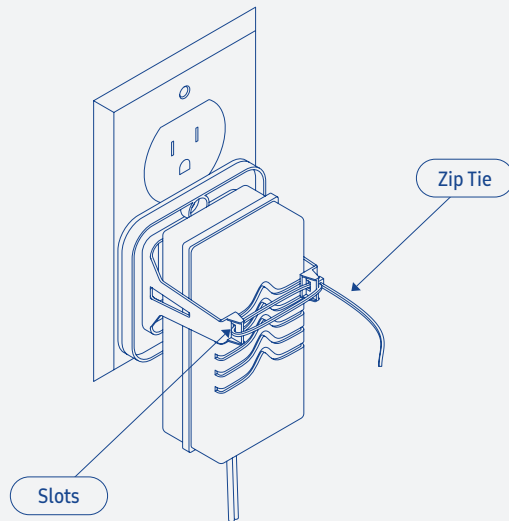
5. Download the SmartThings app for Android or iOS, create an account for your home, and then follow the on-screen instructions to complete setup.
  - An Activation Code will be displayed on the ADT Security Hub. Enter this code into the SmartThings app when prompted.
  - If you already have a SmartThings Hub (or compatible device with SmartThings Hub functionality), visit [SmartThings.com/Support-ADT](https://SmartThings.com/Support-ADT) to learn more about replacing it with the ADT Security Hub.
6. Use the System Settings menu option on your ADT Security Hub to change the Master User Code.
  - All ADT Security Hubs have the same default Master User Code (1111), so it's important that you change this code as soon as you've completed setup. See the enclosed ADT Security Hub User Guide for more information about user codes and how to change your Master User Code.

7. For compliance with ANSI/NFPA 70 National Electric Code, install the power plug retaining bracket.
  - Use the pre-applied adhesive tape to attach the retaining bracket to the wall outlet and then secure the bracket to the wall using the fastening screw.



## ADT Security Hub

- Spread the edges of the bracket apart and insert the power plug into the power outlet. Thread the zip ties through the slots and fasten them to secure the power plug.





**Note:** You can also mount the ADT Security Hub on a wall.  
Visit [SmartThings.com/Support-ADT](https://www.smartthings.com/support-adt) for more information.

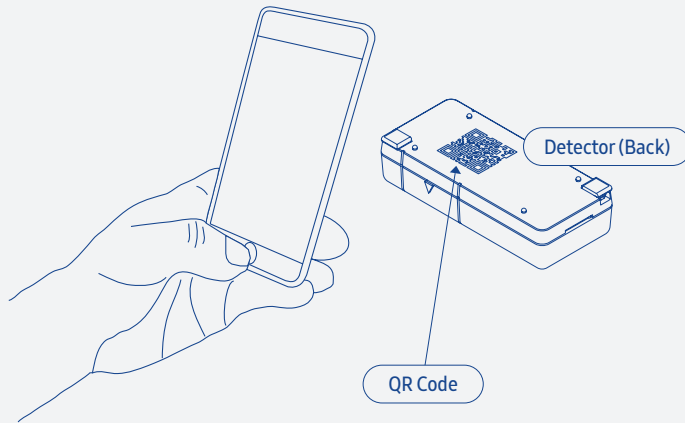
**B**

## Setup your ADT Door and Window Detectors

1. Use the ADT Door and Window Detectors to protect doors and windows where an intruder might be able to enter your home.
  - There are two ADT Door and Window Detectors in the ADT Home Security Starter Kit and each one consists of two parts. Setup the detectors one at a time and do not remove the tabs marked “Pull This Tab” until instructed below.
2. Take the first ADT Door and Window Detector to the door or window where you intend to mount it. Make sure you are within 350 feet of the ADT Security Hub.
  - Exact range depends on your home’s construction, the environment, the position of the ADT Security Hub, and the position and number of other connected devices.
3. Use the SmartThings app on your smartphone to select the “My Home” tab. Select “Things”, and then “Add a Thing”.

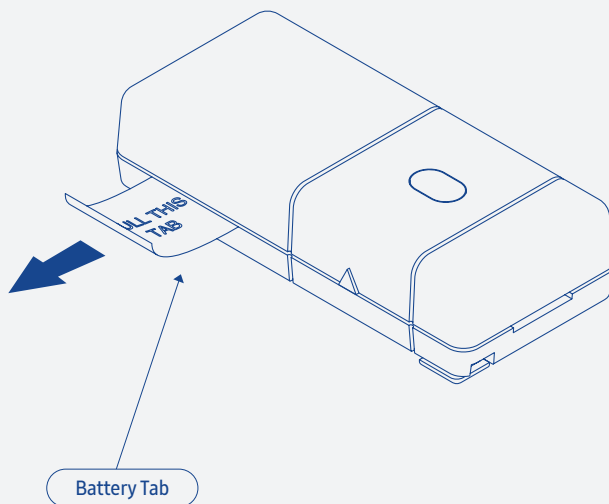
## ADT Door and Window Detectors

4. Use the SmartThings app to scan the QR code on the back of the detector and then follow the on-screen instructions to complete setup.
  - Remove the QR code from the back of the detector and attach it inside the ADT Security Hub User Guide for future reference.



## ADT Door and Window Detectors

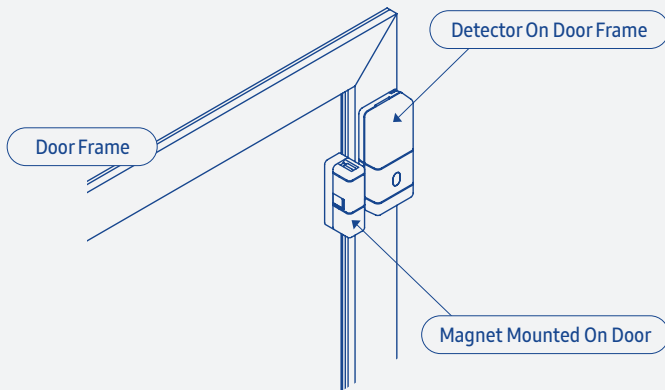
5. Remove the tab on the detector marked “Pull This Tab”.



## ADT Door and Window Detectors

- Place both parts of the detector on your door or window as shown in the illustrations. For double doors, place the smaller part of the detector on the most-used door and the larger part on the least-used door.

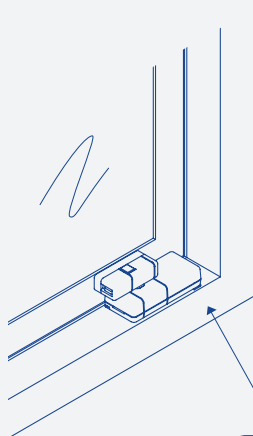
Placement on doors:



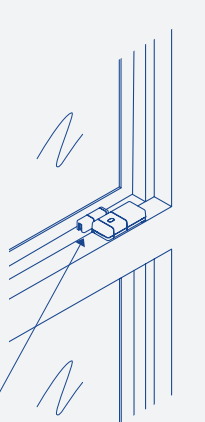
## ADT Door and Window Detectors

Placement on windows:

Single-Hung Windows



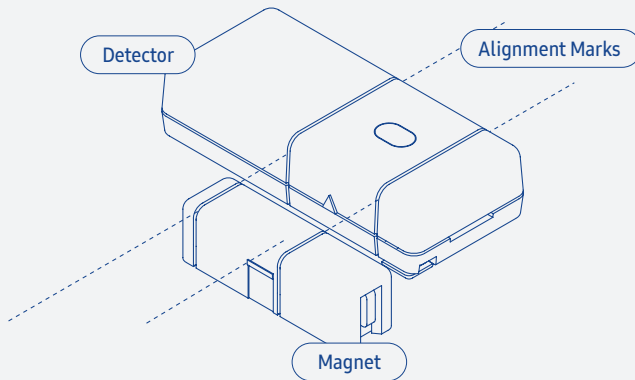
Double-Hung Windows



Detector On Window Sill

## ADT Door and Window Detectors

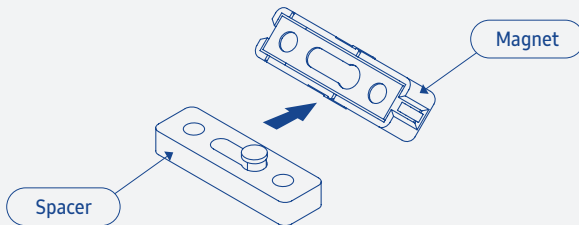
- Make sure that the alignment marks on both parts of the detector are aligned and facing each other, and that both parts of the detector are less than 0.5 inches apart when the door or window is closed



- Make sure the detector is placed at the top of door or window frames to avoid accidental damage to the detector.

## ADT Door and Window Detectors

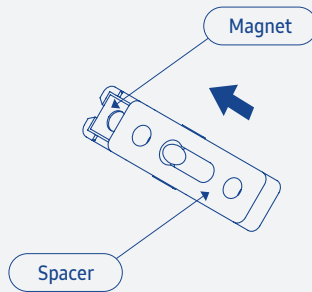
7. Use the pre-applied adhesive tape to attach both parts of the detector to your door or window.
  - Make sure that all surfaces are clean and dry.
  - Make sure to place both parts of the detector correctly as the adhesive tape will be difficult to remove.
8. If it's difficult to align both parts of the detector properly, you may want to adjust the height of the magnet by squeezing the tabs on the side or by adding the supplied spacer:
  - Insert the spacer pin into the magnet base slot.





## ADT Door and Window Detectors

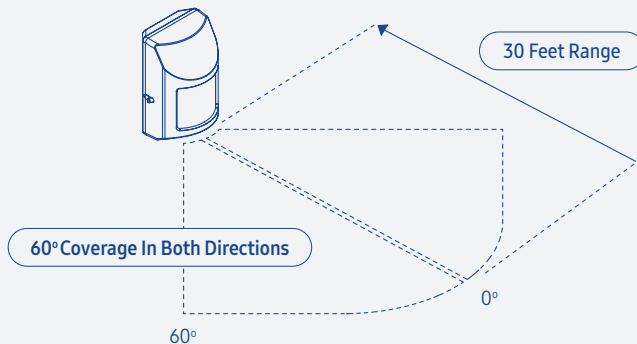
- Slide the spacer forward to lock it onto the magnet.



9. Repeat steps 2-8 to setup the second ADT Door and Window Detector.

## **C** Setup your ADT Motion Detector

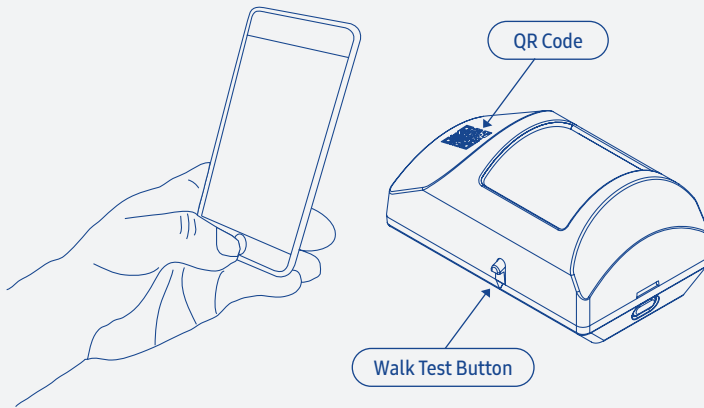
1. Use the ADT Motion Detector in a high-traffic area where an intruder would be likely to pass within a 30-foot range, e.g. living room or hallway.



2. Take the ADT Motion Detector to the area where you intend to mount it. Make sure you are within 350 feet of the ADT Security Hub.
  - Exact range depends on your home's construction, the environment, the position of the ADT Security Hub, and the position and number of other connected devices.

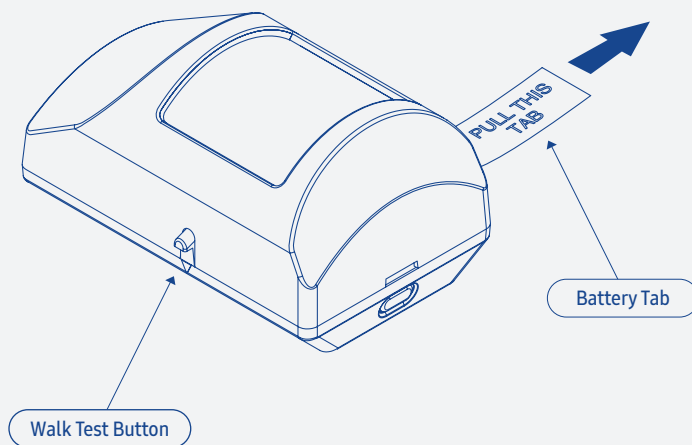
## ADT Motion Detector

3. Use the SmartThings app on your smartphone to select the "My Home" tab. Select "Things", and then "Add a Thing".
4. Use the SmartThings app to scan the QR code on the front of the detector and then follow the on-screen instructions to complete setup.
  - Remove the QR code from the front of the detector and attach it inside the ADT Security Hub User Guide for future reference.

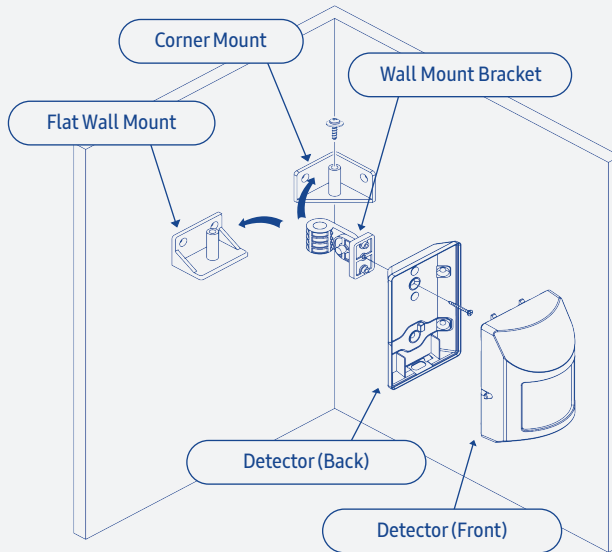


## ADT Motion Detector

5. Remove the tab on the detector marked “Pull This Tab”.



- Pick a location 6.5 to 7.5 feet above the floor and mount the detector on a flat wall or in a corner.

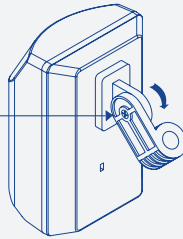


## ADT Motion Detector

- Make sure that there are no objects blocking the detector's view and that it's in a stable location.
- Make sure that the detector is not aimed at stairs, furniture, or other surfaces where a pet might climb, or used in a room where large pets (over 55 lbs) may be present and could cause false alarms.
- Make sure that the detector is not placed near a source of heat that could cause false alarms, e.g. a heating vent or fireplace.
- Make sure that you test the coverage of the detector by pressing the Walk Test button on the side. For the next 10 minutes, the red LED will illuminate when it senses movement, allowing you to adjust the aim of the detector using a screwdriver so that it covers the desired protection area.

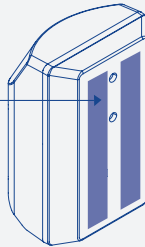
## ADT Motion Detector

Adjust With Screwdriver




- You can use the supplied mounting tape on flat walls if you don't want to use the wall bracket.

Double Stick Tape Here For Flat Walls



## D Complete a Walk Test

Once you've finished setting up your ADT Security Hub and detectors, you should perform a Walk Test to ensure that all your devices are installed and working correctly.

1. Select **System Settings** from the Home screen on your ADT Security Hub.
2. Enter the Master User Code.
3. Select **Walk Test**.
4. Select **Sensors Test** and follow the on-screen instructions.
  - If a detector fails the Sensors Test, check that it's been installed correctly or visit [SmartThings.com/Support-ADT](https://www.smartthings.com/support-adt) for assistance.
5. Select **Console Test** and follow the on-screen instructions.
6. Tap  or the Home button to exit Test Mode.

**Note:** It is strongly recommended that you repeat this Walk Test on a monthly basis.



**E**

## Troubleshooting

If the ADT Door and Window Detector did not pair successfully with the ADT Security Hub, follow these instructions to reset it:

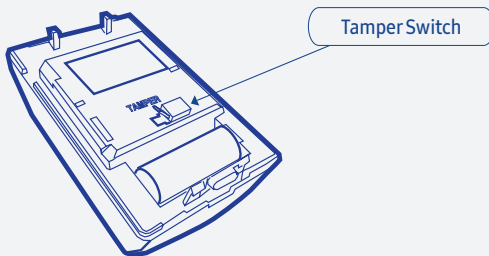
1. Press and release the button on the top of the detector twice.
2. Press and hold the button. The red LED will begin to blink quickly, and after a short period of time it will stay on.
3. Release the button and after 5 seconds the red LED will begin to blink slowly.
4. Use the SmartThings app to complete setup..

If you're still having trouble connecting the ADT Door and Window Detector, please visit [SmartThings.com/Support-ADT](https://www.smartthings.com/support-adt) for assistance.

## Troubleshooting

If the ADT Motion Detector did not pair successfully with the ADT Security Hub, follow these instructions to reset it:

1. Remove the back of the detector
2. Press and release the Tamper Switch on the detector twice.
3. Press and hold the Tamper Switch. The red LED will begin to blink quickly, and after a short period of time will stay on.



4. Release the Tamper Switch and after 5 seconds the red LED will begin to blink slowly.
5. Use the SmartThings app to complete setup.

If you're still having trouble connecting the ADT Motion Detector, please visit [SmartThings.com/Support-ADT](https://www.smartthings.com/support-adt) for assistance.

## F Optional ADT professional monitoring services

With optional ADT professional monitoring services, you can enjoy 24/7 peace of mind whether your family is home or away. Choose from a range of intrusion detection and life safety services.

Use the SmartThings app to activate ADT professional monitoring services, or visit [SmartThings.com/ADT](https://www.smartthings.com/ADT) for more information.



## **G** Learn more about Works with SmartThings

Your ADT Security Hub works as a SmartThings Hub, allowing it to connect wirelessly with a wide range of smart devices and make them work together.

Look for the **Works with SmartThings** label next time you're buying a connected device for your home, or visit [SmartThings.com/ADT](https://SmartThings.com/ADT) to see the full list of compatible devices.



# Congratulations!

Your ADT Home Security Starter Kit is now setup and ready to use.

Read the enclosed **ADT Security Hub User Guide** for important information on using your ADT home security system and make sure to keep it safe for future reference.

Read the enclosed **SmartThings Welcome Guide** for more information on using the ADT Security Hub to turn your home into a smart home, or visit [SmartThings.com/ADT](https://www.smartthings.com/ADT) to see the full list of compatible devices.



SmartThings, Inc., 665 Clyde Ave, Mountain View, CA 94043, USA. Information in this document is subject to change without notice. Copyright 2017 SmartThings, Inc. All rights reserved. ADT and the ADT logo are marks and/or registered marks of ADT. Unauthorized use is strictly prohibited. Revised 06/17.

P/N 10016840C