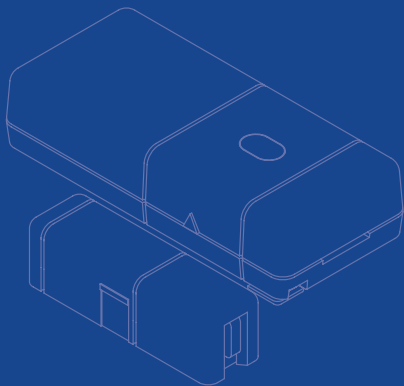


ADT Door and Window Detector

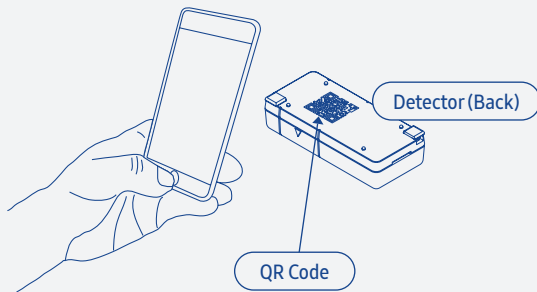
Setup Guide



A Setup

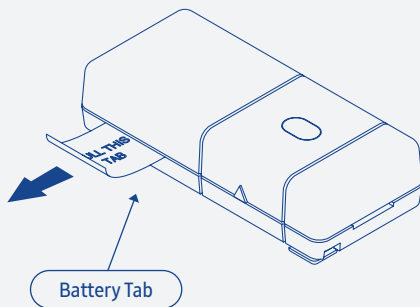
1. Take the ADT Door and Window Detector to where you intend to mount it after setup. 2.
 - Make sure you are within 350 feet from the ADT Security Hub. (Exact range depends on your home's construction, the environment, the position of the ADT Security Hub, and the position and number of other connected devices.) 3.
 - Make sure that your ADT Security Hub is disarmed before connecting a new device.
 - Make sure that you only setup one new device at a time.
 - Do not remove the battery tab until you are ready to set up the detector.

2. Use the SmartThings app on your smartphone to select the "My Home" tab. Select "Things", and then "Add a Thing".
3. Use the SmartThings app to scan the QR code on the back of the detector and then follow the on-screen instructions to complete setup.



Setup

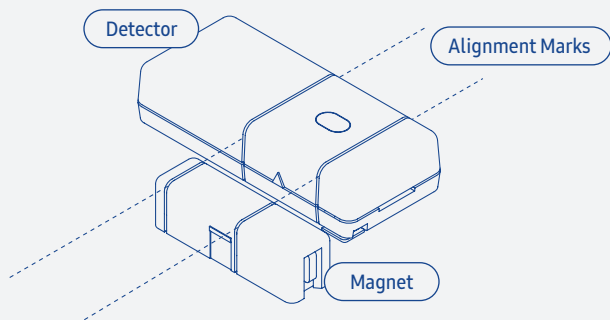
4. Remove the tab on the detector marked “Pull This Tab”.



5. Remove the QR code from the back of the detector and attach it inside the ADT Security Hub User Guide for future reference.

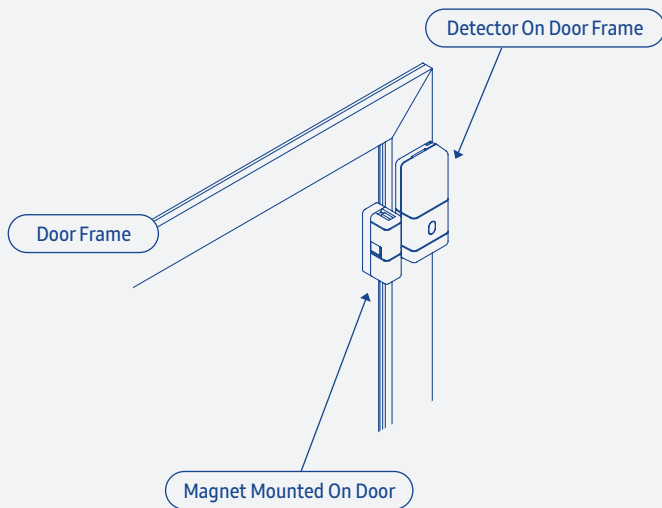
B Placement

Make sure that the alignment marks on both parts of the detector are aligned and facing each other.



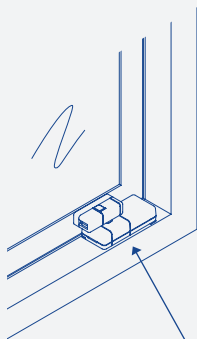
Placement

Placement on doors:

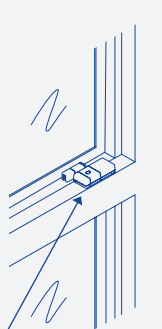


Placement on windows:

Single-Hung Windows



Double-Hung Windows



Detector On Window Sill

C Mounting

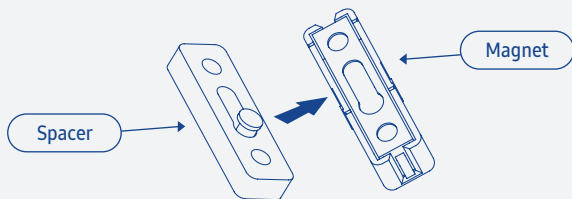
1. Use the pre-applied adhesive tape when attaching both parts of the detector to your door or window.
 - Make sure that all surfaces are clean and dry.
 - Make sure to place both parts of the detector correctly as the adhesive tape will be difficult to remove.
 - Place the detector at the top of door or window frames to avoid accidental damage.
- 2.

2. Place one part of the detector on your door or window, and the other part on the frame of the door or window.
 - Make sure that both parts of the detector are less than 0.5 inches apart when the door or window is closed. Use optional spacer if required.
 - For double doors, attach the smaller part of the detector to the most-used door and the larger part to the least-used door.

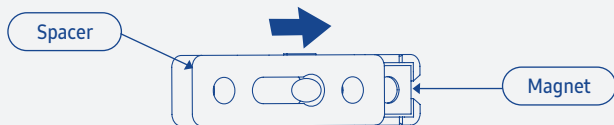
Mounting

If it's difficult to align both parts of the detector properly, you may want to adjust the height of the magnet by squeezing the tabs on the side or by adding the supplied spacer:

1. Insert spacer pin into magnet base slot.



2. Slide spacer forward to lock it onto the magnet.



D Testing

You can test your ADT Door and Window Detector by performing a Walk Test on the ADT Security Hub, opening and closing the door or window where it's been installed, and then checking its status on the ADT Security Hub touchscreen. See the ADT Security Hub User Guide for more details.

Note: If you have an ADT professional monitoring service activated, additional testing is required whenever you connect a new device. Follow the on-screen instructions in the SmartThings app to complete testing.

E Troubleshooting

If the detector did not pair successfully with the ADT Security Hub, follow these instructions to reset it:

1. Press and release the button on the front of the detector twice.
2. Press and hold the button. The red LED will begin to blink quickly, and after a short period of time will stay on.
3. Release the button and after 5 seconds the red LED will begin to blink slowly.
4. Use the SmartThings app to complete setup.

If you're still having trouble connecting the ADT Door and Window Detector, please visit [SmartThings.com/Support-ADT](https://www.smartthings.com/support-adt) for assistance.

F

The
do
par
not

You
sm
opt
(ad

The
Win



F Suggestions

The ADT Door and Window Detector monitors whether doors and windows are open or closed. When the two parts of the detector move away from each other, a notification is sent wirelessly to your ADT Security Hub.

Your ADT Security Hub can then send an alert to your smartphone, automate connected devices, or initiate optional ADT professional monitoring services (additional fees apply).

There are many ways you can use an ADT Door and Window Detector in your home:

- Put one on your door or window and set it to initiate optional ADT professional monitoring services if an intrusion is detected in your home (additional fees apply).

Suggestions

- Put one on your front door and set it to send you a message if it's left open for too long.
- Put one on your door or window and set it to send you a message if they're left open at night.
- Put one on your front door and set it to turn on connected lights when you arrive home in the evening.
- Put one on your back door and set it to activate a connected lock when it's been closed for a few minutes.

Note: To ensure proper functioning, all connected devices must be configured correctly.

Visit SmartThings.com/Welcome for more ideas, tips, and special offers.

G Works With SmartThings

SmartThings works with a wide range of connected devices, including lights, cameras, locks, thermostats, and sensors. It also works with the **Google Assistant** and **Amazon Alexa** so you can control your smart home with voice commands.

Look for the **Works with SmartThings** label next time you're buying a connected device for your home, or visit **SmartThings.com** to see the full list of compatible devices.



SmartThings, Inc., 665 Clyde Ave, Mountain View, CA 94043, USA. Information in this document is subject to change without notice. Copyright 2017 SmartThings, Inc. All rights reserved. ADT and the ADT logo are marks and/or registered marks of ADT. Unauthorized use is strictly prohibited. Revised 06/17.

P/N 10015708C