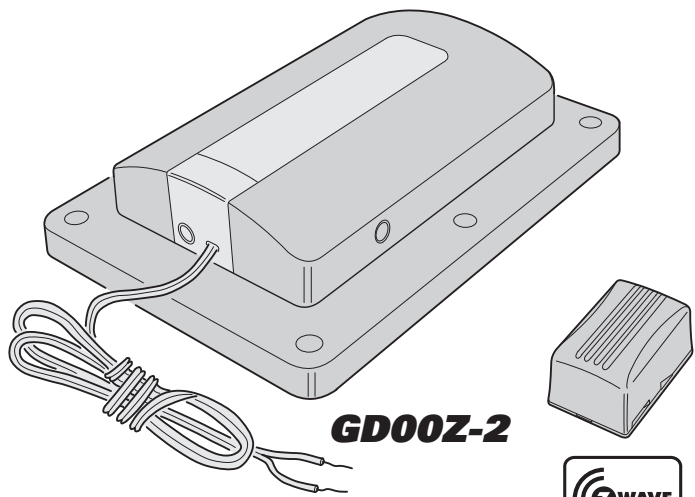


INSTR, INSTL, GD00Z-2 - LINEAR P/N: 235971 X22- INK: BLACK - MATERIAL: 20 LB. WEAD BOND WITH 80 LB. WHITE COATED COVER - SIZE: 5.500" X 8.500" - SCALE: 1-1 - FOLDING: ALBUM FOLD - BINDING: SADDLE-STITCH  
PRINTERS INSTRUCTIONS:



**GARAGE DOOR OPENER  
REMOTE COMMAND  
CONTROLLER  
with TILT SENSOR**



**GD00Z-2**



**Installation Instructions**



*Building On Innovation.*  
USA & Canada (800) 421-1587 & (800) 392-0123  
(760) 438-7000 - Toll Free FAX (800) 468-1340  
[www.linearcorp.com](http://www.linearcorp.com)

## Regulatory Information

### Regulatory Information

- Z-Wave® is a registered trademark of Sigma Designs Inc. and/or its subsidiaries.
- Changes or modifications not expressly approved by the manufacturer could void the user's authority to operate the equipment.
- Les changements ou modifications non approuvés expressément par la partie responsable de la conformité pourrait annuler l'autorité de l'utilisateur à faire fonctionner l'équipement.
- This device complies with FCC Part 15 and Canada Rules and Regulations. Operation is subject to the following two conditions: (1) This device may not cause harmful interference and (2) this device must accept any interference received, including interference that may cause undesired operation.
- Le présent appareil est conforme aux CNR d'Industrie Canada applicables aux appareils radio exempts de licence. L'exploitation est autorisée aux deux conditions suivantes : (1) l'appareil ne doit pas produire de brouillage, et (2) l'utilisateur de l'appareil doit accepter tout brouillage radioélectrique subi, même si le brouillage est susceptible d'en compromettre le fonctionnement.

NOTICE TO USERS IN CALIFORNIA - CR COIN CELL LITHIUM BATTERY INFORMATION:  
THIS PRODUCT CONTAINS A CR COIN CELL LITHIUM BATTERY WHICH CONTAINS  
PERCHLORATE MATERIAL - SPECIAL HANDLING MAY APPLY - SEE  
[www.dtsc.ca.gov/hazardouswaste/perchlorate](http://www.dtsc.ca.gov/hazardouswaste/perchlorate)

KEEP AWAY FROM SMALL CHILDREN. IF BATTERY IS SWALLOWED, PROMPTLY SEE A DOCTOR.  
DO NOT TRY TO RECHARGE THIS BATTERY. DISPOSAL OF USED BATTERIES MUST BE MADE IN  
ACCORDANCE WITH THE WASTE RECOVERY AND RECYCLING REGULATIONS IN YOUR AREA.

### **⚠ WARNING ⚠**

**This operator system is equipped with an unattended operation feature. This door could move unexpectedly. NO ONE SHOULD CROSS THE PATH OF A MOVING DOOR!**

### **⚠ WARNING ⚠**

**This system can be installed on sectional type (roll up) doors only per (UL-325). DO NOT INSTALL ON ONE-PIECE DOORS!**

### **⚠ WARNING ⚠**

**The Remote Command Controller must be mounted in the garage, in sight of the garage door, where the visual and audible movement warning indicators can be clearly seen and heard.**

### **⚠ WARNING ⚠**

**Do not install the Remote Command Controller on garage door operators manufactured prior to 1993 (models without an operational safety beam entrapment detection system).**

## Table of Contents

<b>Product Description</b> .....	2
Overview .....	2
<b>Package Contents</b> .....	3
The Garage Controller System .....	3
<b>Tilt Sensor Installation</b> .....	4
Mounting the Tilt Sensor .....	4
<b>Enrolling with the System</b> .....	5
Enrolling the Garage Door Controller .....	5
To add a Garage Door Controller: .....	5
Resetting or Excluding the Garage Door Controller .....	8
To reset a Garage Door Controller: .....	8
Deleting the Garage Door Controller .....	8
<b>Controller Mounting</b> .....	9
Mounting the Controller in the Garage .....	9
<b>Controller Connections</b> .....	10
Wiring the Controller to the Opener .....	10
Connecting the Power Supply .....	10
<b>System Operation</b> .....	11
Opening and Closing the Garage Door .....	11
<b>Operation Notes</b> .....	12
Indications and Operation Notes .....	12
<b>Tilt Sensor Battery Replacement</b> .....	12
When The Tilt Sensor Battery Gets Low .....	12
<b>Troubleshooting</b> .....	13
If Something is not Working .....	13

## Product Description

### Overview

- ◆ Replication is the process of copying or transferring your Z-Wave network from one controller to another.
- ◆ This is a Security enabled Z-Wave product and must be used with a Security enabled Z-Wave controller in order to fully utilize this product. As such, this device will not respond to Basic CC commands.
- ◆ The GD00Z-2 is a garage door opener remote command transceiver with built-in Z-Wave® technology.
- ◆ Allows remote operation of a garage door opener using the ADT Pulse touch screen, web portal, or mobile app.
- ◆ Z-Wave is an Interoperable two-way RF mesh networking technology designed for use with a Z-Wave gateway/controller and other Z-Wave enabled devices.
- ◆ Acts as a Z-Wave repeater to improve communications within the Z-Wave mesh network.
- ◆ ASSOCIATION: The GD00Z-2 supports 1 Group with 1 Node. Group 1 must be assigned the Node ID of the controller to which unsolicited notifications from the Controller will be sent. The ADT Pulse should set this association automatically after inclusion.

### Summary of Operation

- ◆ Controller connects to the garage door opener's pushbutton wall console terminals.
- ◆ A wireless tilt sensor mounts on the garage door and reports the door's position to the Controller.
- ◆ GD00Z-2 responds to Z-Wave commands from ADT Pulse to open or close the garage door.
- ◆ A warning indicator light flashes and a beeper sounds for 5 seconds before the door begins to move.
- ◆ If the door does not completely open or close, a second open or close command can be sent after 30 seconds.
- ◆ If the door does not completely open or close after the second attempt, the Controller operation is suspended until a local garage door pushbutton is activated.

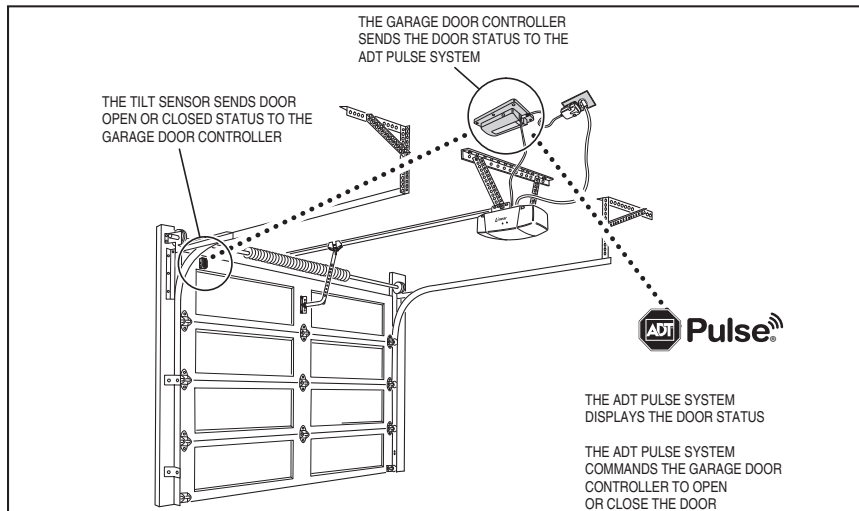


Figure 1. System Overview

## Package Contents

### **The Garage Controller System**

The GD00Z-2 System consists of three major components:

- **The Controller** — The Controller wires to the garage door opener's pushbutton terminals, receives door status from the tilt sensor, and communicates with the ADT Pulse system.
- **The Tilt Sensor** — The battery powered Tilt Sensor monitors the position of the garage door and sends the status to the Controller.
- **The Power Supply** — The Power Supply provides low voltage power to the Controller.

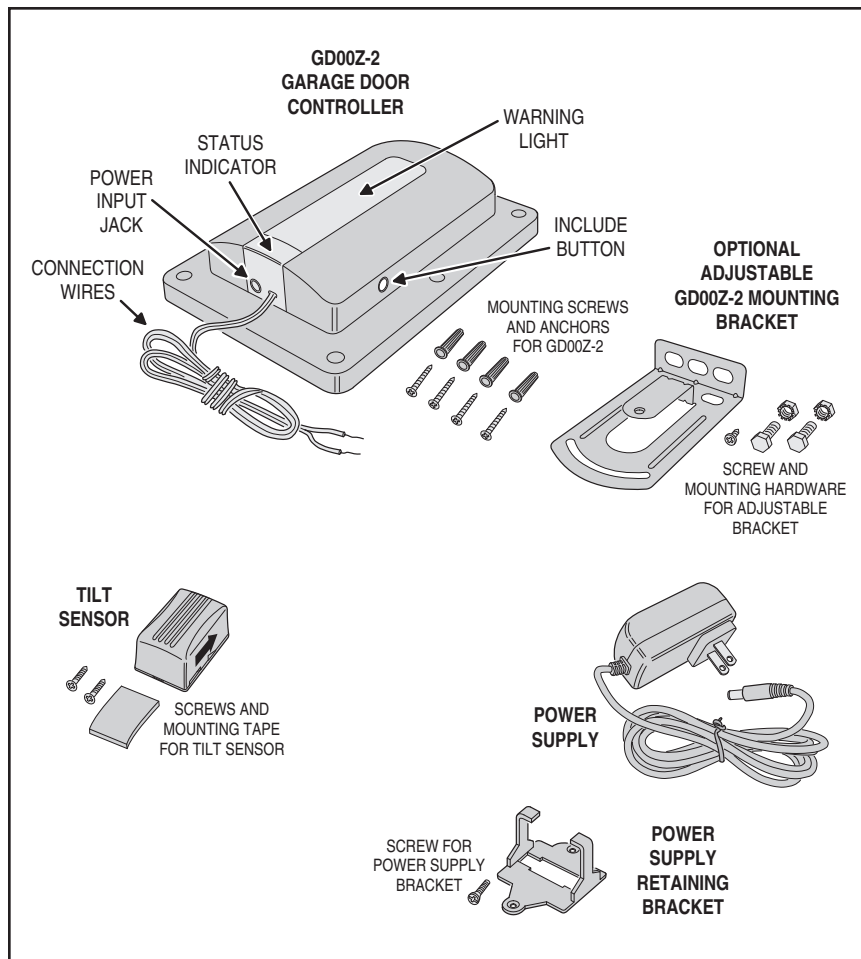


Figure 2. Package Contents

## Tilt Sensor Installation

### Mounting the Tilt Sensor

The battery powered Tilt Sensor attaches to the top panel of the garage door.

1. Before installation, activate the Tilt Sensor by pulling and removing the battery protection strip.
2. If using screws to mount the Tilt Sensor, open the sensor case with a small screwdriver.
3. Use the double-sided tape or screws supplied to attach the Tilt Sensor to the top panel of the garage door.

✓ **NOTE:** Drill two 1/16" pilot holes if using the screws to attach the mounting plate.

4. If the plate was removed for screw mounting, snap the Tilt Sensor on to the mounting plate.

✓ **NOTE:** Be sure the arrow on the side of the Tilt Sensor points UP.

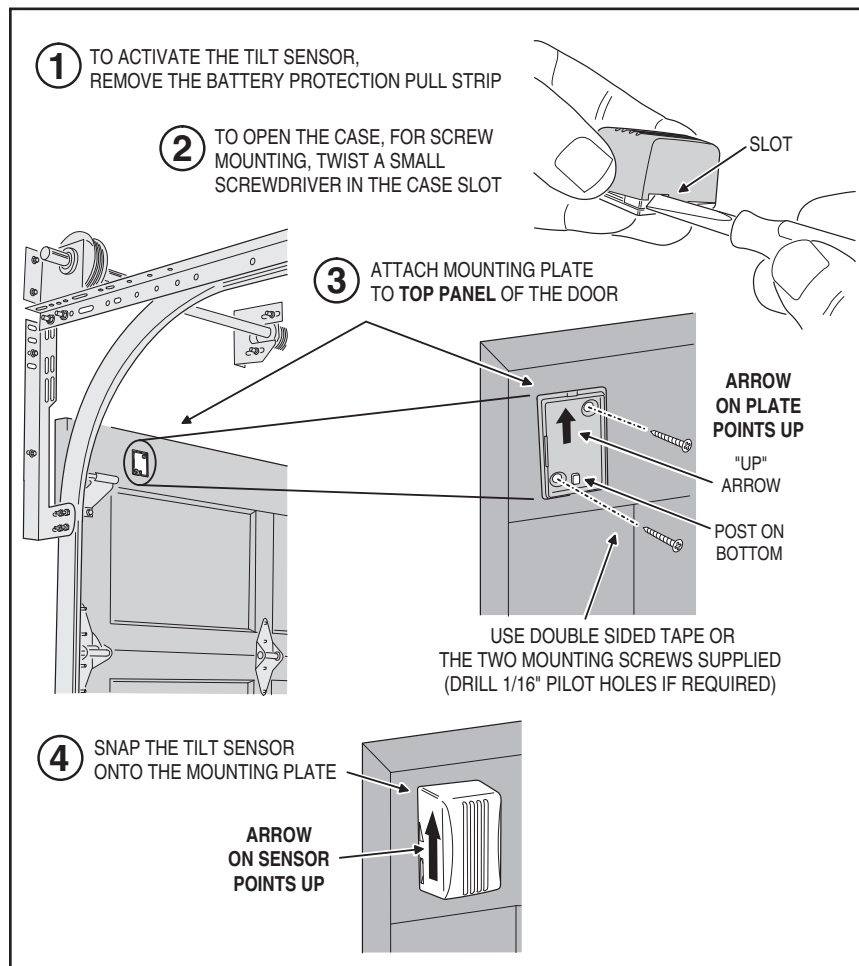


Figure 3. Tilt Sensor Installation

## Enrolling with the System

### Enrolling the Garage Door Controller

Before the system can be used, the ADT Pulse system needs to enroll the Garage Door Controller. Bring the Controller near your ADT Pulse Gateway and apply power to the Garage Door Controller.

- ✓ **NOTE:** Before enrolling device to any Z-Wave network, or after removing it from any Z-Wave network, it is recommended that the Controller be factory reset. Reset the Controller by pressing the **Include** button 5 times. (Location of Include button is shown in Figure 2 on Page 3). A quick beep followed by a longer beep will indicate proper reset of the GD00Z-2.

### To add a Garage Door Controller:

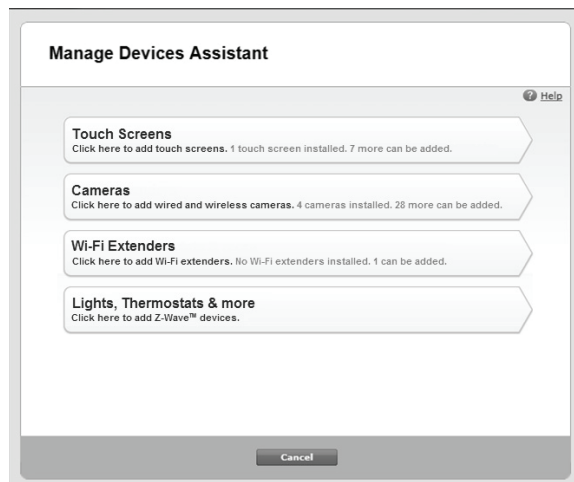
1. Open your Web browser and in the address bar enter:

<https://portal.adtpulse.com>



The screenshot shows the ADT Pulse sign-in page. At the top left is the ADT Pulse logo. The main heading is "Please Sign In". Below this are two input fields: "Username:" and "Password:". There is a checkbox labeled "Remember my username" and a "Sign In" button. Below the button is a link: "Forgot your username or password?". At the bottom, there is a small disclaimer: "Your use of this site signifies that you accept the ADT Pulse Website Terms of Use Agreement. ©2013 ADT LLC the ADT Security Services. All rights reserved. ADT, the ADT logo, 800-ADT-AGAP and the product/service names listed in this document are marks and/or registered marks. Unauthorized use is strictly prohibited. Unauthorized use of this site is prohibited and may be subject to civil and criminal prosecution." At the very bottom, there are links for "ADT Security Services", "Privacy Policy", "ADT Pulse Terms of Use", "Customer Support", and "Contact ADT".

2. Enter your **Username** and **Password**, then click the **Sign In** button.
3. Click the **System** tab, then click the **Manage Devices** button. The Manage Devices Assistant appears.



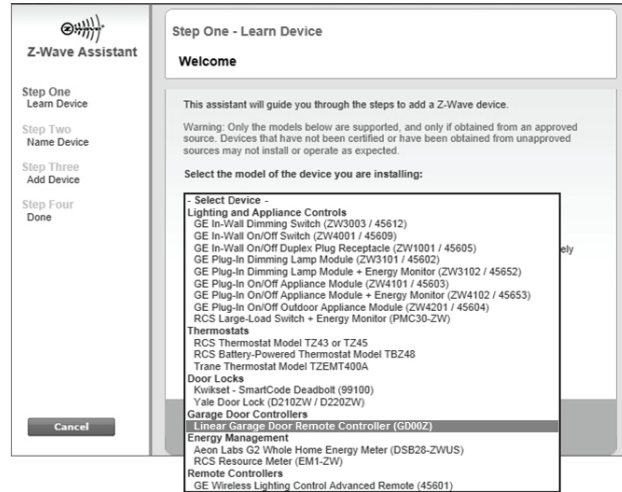
The screenshot shows the "Manage Devices Assistant" page. At the top left is the heading "Manage Devices Assistant" and a "Help" icon. Below this are four sections, each with a heading and a "Click here to add" link:

- Touch Screens**: Click here to add touch screens. 1 touch screen installed. 7 more can be added.
- Cameras**: Click here to add wired and wireless cameras. 4 cameras installed. 28 more can be added.
- Wi-Fi Extenders**: Click here to add Wi-Fi extenders. No Wi-Fi extenders installed. 1 can be added.
- Lights, Thermostats & more**: Click here to add Z-Wave™ devices.

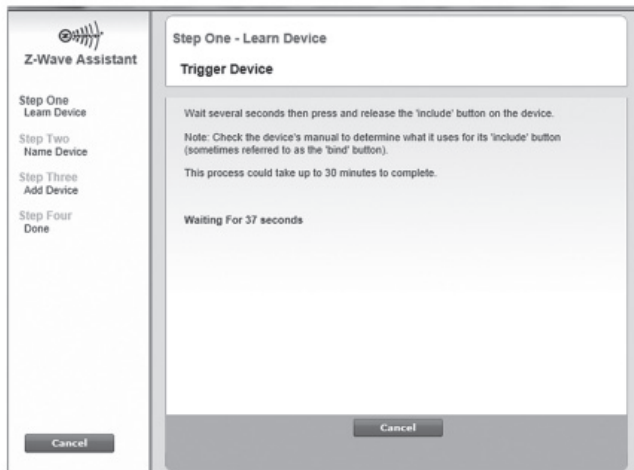
At the bottom of the page is a "Cancel" button.

## Enrolling with the System (Cont.)

- In the Manage Devices Assistant window, click **Lights, Thermostats & More**.
- From the drop-down list, select the Garage Door Remote Controller, and then click **Continue**.



- At the Trigger Device screen, press and hold the Garage Door Controller's include button for 1 second (See page 3, Figure 2 for the location of the include button).



- Wait while the system finds the GD00Z-2 Device. When the device is successfully recognized, the **Found Device** screen appears.
- ✓ **NOTE:** Adding the Garage Door Controller can take one or two minutes.



## **Enrolling with the System (Cont.)**

8. Enter a name for the device, and then click **Continue**.

The screenshot shows the 'Z-Wave Assistant' interface. On the left, a vertical sidebar lists the steps: 'Step One Learn Device', 'Step Two Name Device' (which is highlighted), 'Step Three Add Device', and 'Step Four Done'. The main content area is titled 'Step Two - Name Device' and 'Found a Garage Door'. It contains the instruction 'Enter the name for your new device, then click Continue.' and a text input field with the placeholder text 'New Device'. At the bottom of the window, there are two buttons: 'Cancel' on the left and 'Continue' on the right.

A message informs you that the device was successfully added.

The screenshot shows the 'Z-Wave Assistant' interface at the 'Step Four - Done' stage. The sidebar on the left now highlights 'Step Four Done'. The main content area is titled 'Step Four - Done' and 'Exit or Add Another'. It contains the following text: 'Your Z-Wave device has been added.', 'If you are finished adding devices, place them in the locations that they will be used and click Refresh Network. This will optimize Z-Wave performance.', and 'If you have more devices to add, click Add More.' At the bottom of the window, there are three buttons: 'Cancel' on the left, 'Add More' in the middle, and 'Refresh Network' and 'Finish' on the right.

9. Click **Finish**.

## **Enrolling with the System (Cont.)**

---

### ***Resetting or Excluding the Garage Door Controller***

If you have trouble adding the Garage Door Controller you can reset the device. Resetting the device removes it from a site (Not the same as factory resetting the device). You can then try to add the device again.

#### ***To reset a Garage Door Controller:***

1. In the web portal, click the **System** tab.
2. Click **Manage Devices**.
  - ◆ The Manage Devices Assistant wizard appears.
3. Click **Lights, Thermostats & more**.
  - ◆ The Z-Wave Assistant wizard appears.
4. Click **Reset Device**.
5. **Press** and release the Garage Door Controller's include button once.
  - ◆ The Z-Wave device resets.
6. Click **Cancel**.

#### ***Deleting the Garage Door Controller***

To delete the Garage Door Controller:

1. Click the **System** tab, if it is not already selected.
  2. Click the name of the device you want to delete. The device page displays information about the selected device.
  3. Click **Delete**. A pop-up window prompts you to confirm the deletion.
  4. Click **Yes** to complete the deletion.
- ✓ **NOTE:** *If you attempt to delete a device that is referenced in an automation, alert, or schedule, or replace the device in all automations, alerts, and schedules in which it is referenced before you can delete the device. Click OK to exit without deleting the device.*

## Controller Mounting

### Mounting the Controller in the Garage

The Garage Door Controller mounts in the garage near the garage door opener. It will need to be near a power outlet and where its warning lamp can be seen, regardless of the door position. **Un-plug the garage door opener before continuing.**

The Garage Door Controller can be screw mounted directly, or by using the supplied adjustable mounting bracket.

1. Use the four anchors and screws to directly mount the Controller (use a 3/16" drill for the screw anchors, if the anchors are used).

- OR -

1. Snap the adjustable mounting bracket onto the Controller and secure it with the short screw.
2. Use the bolts and nuts supplied to attach the mounting bracket to available hardware.

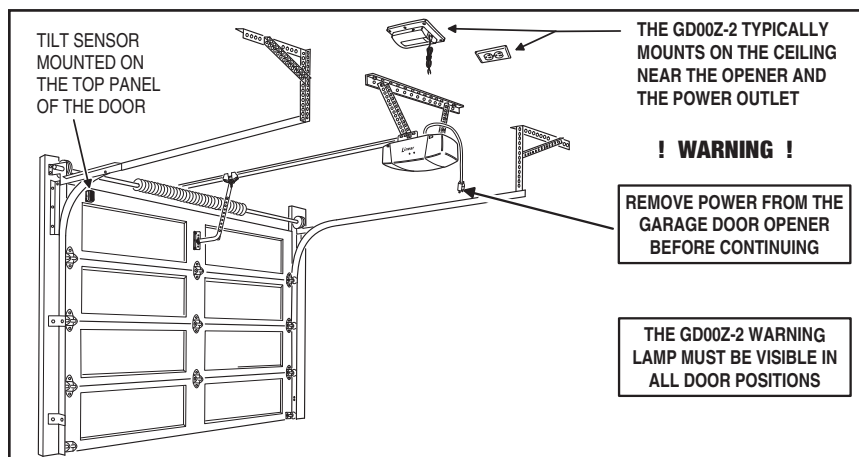


Figure 4. Controller Components

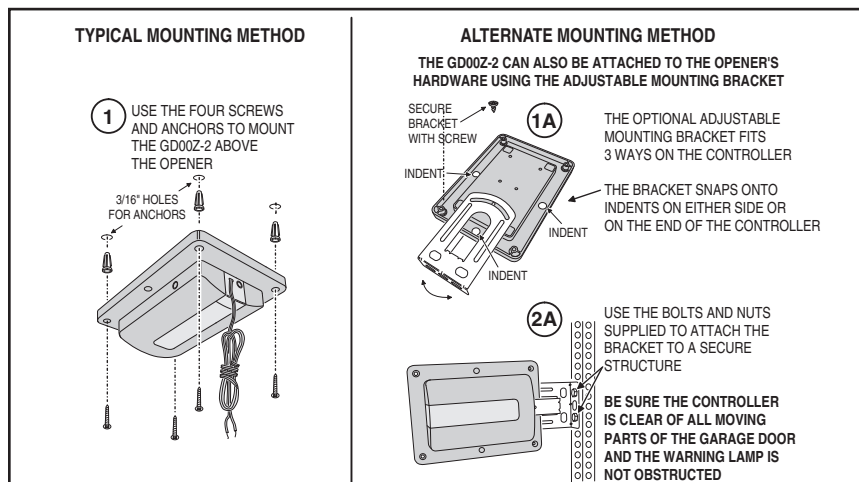


Figure 5. Controller Mounting

## Controller Connections

### Wiring the Controller to the Opener

The Garage Door Controller wires to the garage door opener with a two wire connection.

1. Connect the GD00Z-2 connection wires to the two pushbutton terminals on the garage door opener. The terminals on various models may have different names. Either wire can connect to either terminal.

✓ **IMPORTANT!** Be sure the wires clear all moving parts of the door and opener.

### Connecting the Power Supply

2. Plug the Power Supply's cord into the jack on the Garage Door Controller.
3. Plug the Power Supply into a 115 VAC outlet. Be sure the outlet is powered at all times and not controlled by a switch.

✓ **IMPORTANT!** Do not disconnect any wires currently connected to the Garage Door Opener.

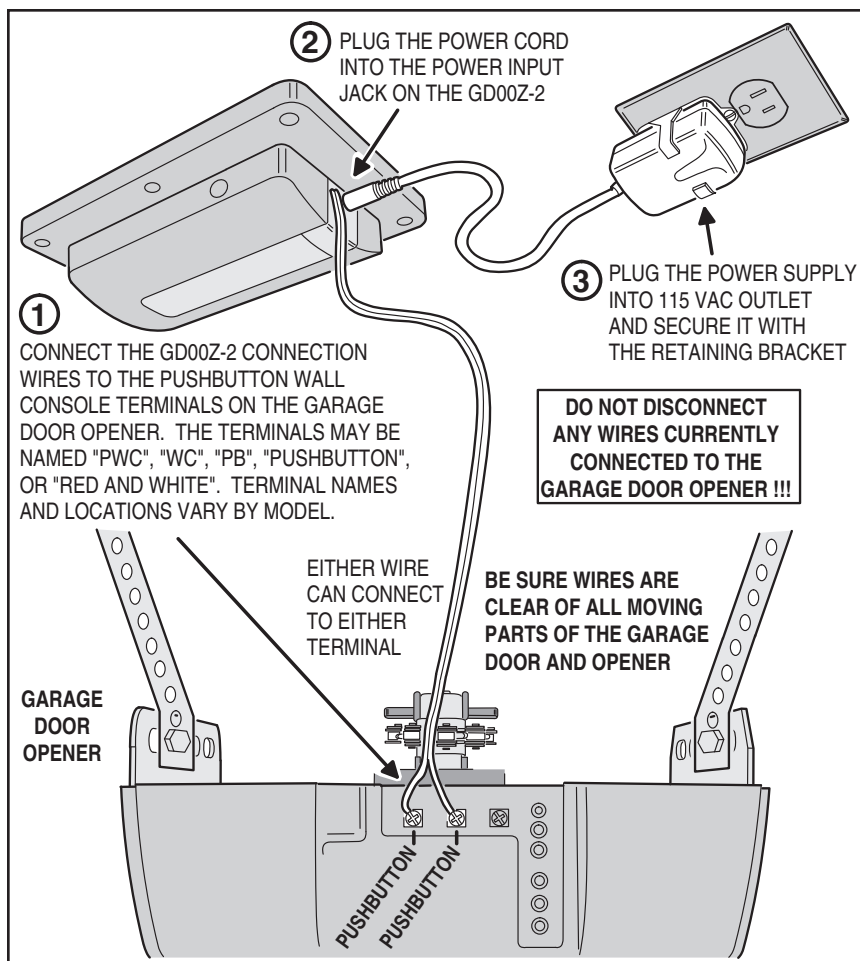


Figure 6. Controller Mounting

## System Operation

### Opening and Closing the Garage Door

After the installation is complete, the garage door opener can be activated by the ADT Pulse system and the door's status can be viewed through the system.

1. Restore power to the garage door opener.
2. Cycle the door open and closed using the wall pushbutton to synchronize the system.
3. Command the ADT Pulse system to activate the garage door.
4. Verify that the Garage Door Controller flashes for five seconds before the door moves.
5. The door should open or close.
6. Verify that the ADT Pulse system indicates the open or closed status of the garage door.

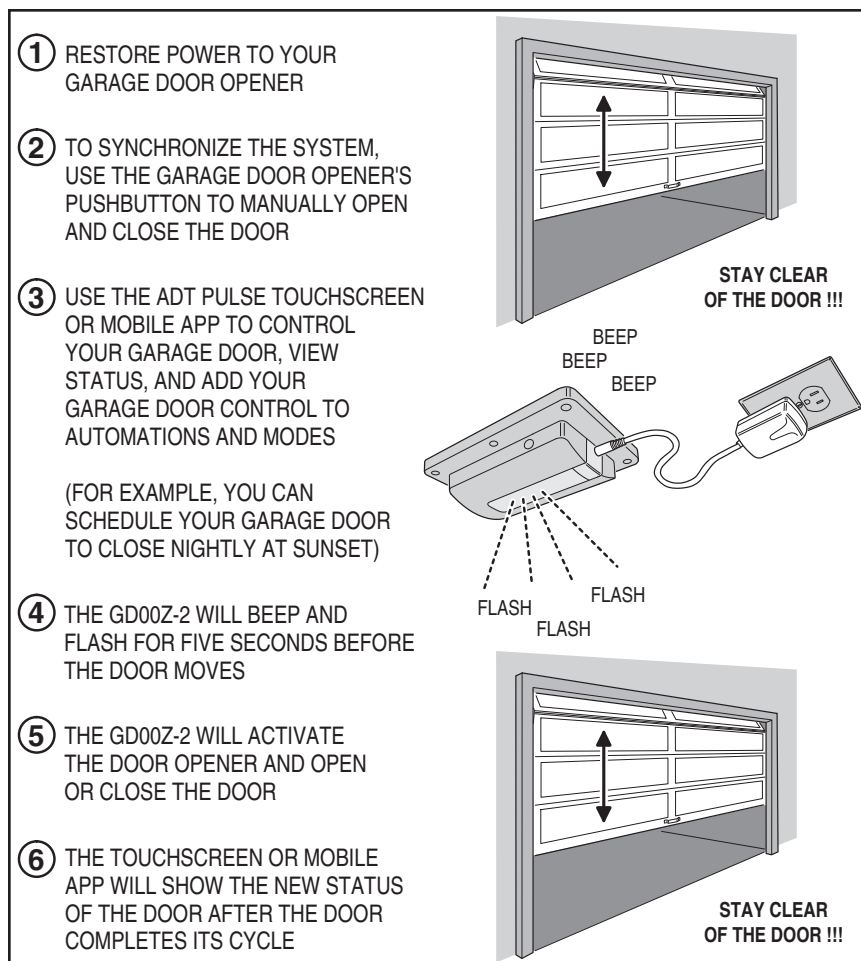


Figure 7. Controller Mounting

## Operation Notes

### Indications and Operation Notes

- ◆ The warning light will flash and the warning beeper will sound for five seconds before the door opener is activated. **STAY CLEAR OF THE DOOR, AND DOOR OPENER. THEY ARE ABOUT TO MOVE!**
- ◆ If the door does not completely open or close after remote activation, the Controller will allow user to try to operate the door one more time. If the second attempt fails, the Controller will go into lock-out mode. See next paragraph.
- ◆ If the GD00Z-2 is in lock-out mode and will not accept remote commands, activate the door from the pushbutton wall console.
- ◆ Once the Controller has initiated the movement of the garage door, another command cannot be sent for 30 seconds. This eliminates the chance of "bouncing" the garage door and possibly damaging the garage door opener.

## Tilt Sensor Battery Replacement

### When The Tilt Sensor Battery Gets Low

The system will notify you when the Tilt Sensor battery gets low and needs replacing.

1. Use a small screwdriver to open the Tilt Sensor case.
  2. Remove the low battery and insert a fresh Type CR2032 coin cell battery. **BE SURE THE PLUS SIDE IS UP.**
- ✓ **IMPORTANT!** Disposal of used batteries must be made in accordance with the waste recovery and recycling regulations in your area.
3. Return the Tilt Sensor to the garage door top panel and snap it onto the mounting plate. **BE SURE THE ARROW ON THE SIDE OF THE TILT SENSOR IS POINTING UP.**

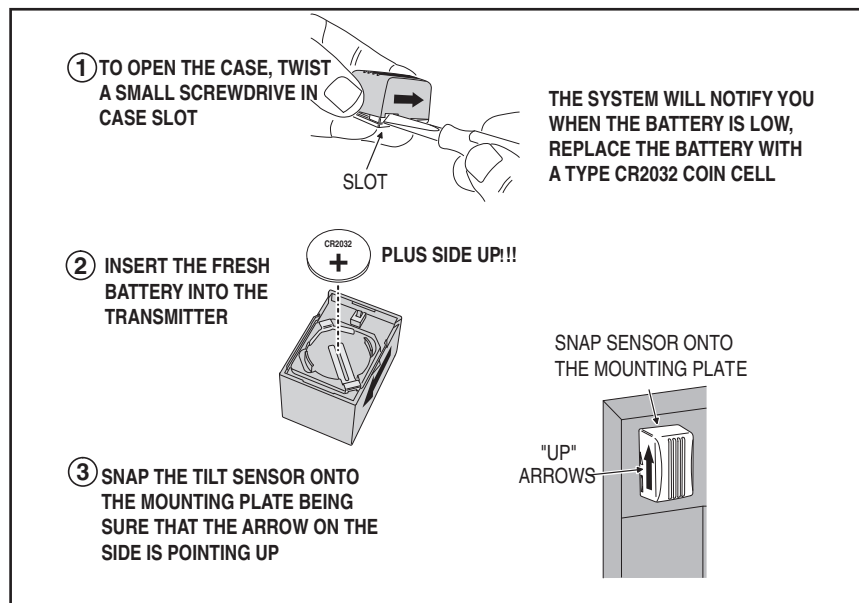


Figure 8. Replacing the Tilt Sensor Battery

## Troubleshooting

### ***If Something is not Working***

Refer to the following table for information regarding possible problems and solutions if the Garage Door Controller is not operating as expected.

PROBLEM	POSSIBLE CAUSE	CORRECTIVE ACTION
The Controller does not flash or beep when activated.	No power to the Controller	<ol style="list-style-type: none"><li>1. Make sure the power supply is plugged in securely to a live outlet.</li><li>2. Make sure the power cord is plugged in securely to the Controller</li></ol>
The Controller flashes and beeps when activated but the door does not move.	Obstruction blocking the door or incorrect wiring.	<ol style="list-style-type: none"><li>1. Make sure that there are no obstacles preventing the door from moving.</li><li>2. Make sure that the GD00Z-2 connection wires are connected to the proper terminals on the garage door opener. Trace the wires from the garage door opener's pushbutton wall console to the door opener. This is where the GD00Z-2 connection wires should be connected to.</li></ol>
Garage door opens or closes, but the status does not change on the touch screen or mobile app.	The Tilt Sensor signal is not being received by the Controller	<ol style="list-style-type: none"><li>1. Make sure the Tilt Sensor is mounted correctly on the garage door, with the arrow pointing up.</li><li>2. Make sure the battery pull tab has been removed from the Tilt Sensor.</li><li>3. Replace the battery in the Tilt Sensor.</li></ol>

